

CLASSIC T. 8.0 Wide Pl

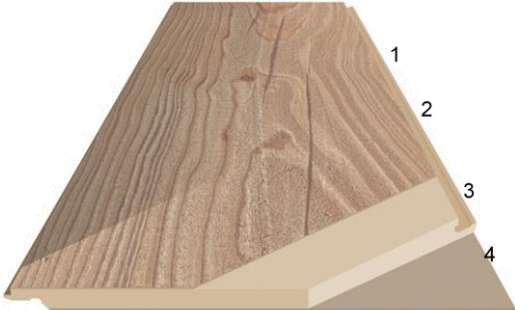
Product description

P 117

Stand: 01.21

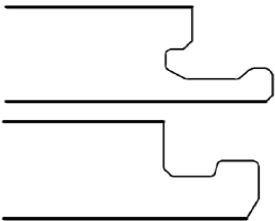


System







- 1 high-grade durable overlay
- 2 impregnated decorative paper
- 3 HDF Optima
- 4 balancer

Profile










Kaindl Loc
profile longitudinal

Fold Down
profile transversal

Tests	Flooring ¹ Symbols	Results
Panel dimension		1383x244x8mm
Service category per Standard per	EN ISO 10874 EN 13329 	32
Abrasion resistance	EN 13329 	AC4
Impact resistance	small ball big ball EN 13329 	≥12N ≥750mm
Formaldehyde emission of the substrate before coating	EN 120 DIBT-Richtlinie 100 	E1 [Europe]
Formaldehyde emission	EN 717-1	< 0,1 ppm
	EN 717-2	< 3,5 mg/h m ²

All values are approximate values - fluctuations cannot be absolutely ruled out.

Formaldehyde emission/ VOC		GREENGUARD GOLD
Formaldehyde emission	CARB	CARB Phase 2
Edge swelling	EN 13329	 ≤ 18%
Thermal conductivity	ISO 8302	 0,0780 m ² .K/W
Moisture residue HDF	EN 322	4 - 7 %
Resistance to cigarette burns	EN 438-2.18	 grade 4
Light fastness	EN ISO 105-B02 EN 20105-A02	 not worse than 6 Blue wool scale not worse than 4 Grey scale
Lifting resistance	EN 13329	≥ 1,25N/mm ²
Resistance to stains	EN 438-2.15	 groups 1-2 grade 5 group 3 grade 4
Combustibility	EN13501-1	 Cfl , s1
Sliding friction μ	EN 13893	 ≥ 0,3
Dimensional variants after changes in relative humidity	EN 13329	length and width ≤ 0,9 mm
Straightness of the panels	EN 13329	≤ 0,30 mm /m
Height difference between elements	EN 13329	maximum ≤ 0,15 mm average ≤ 0,10 mm
Squared elements	EN 13329	≤ 0,2 mm / panel width
Flatness of the element width	EN 13329	concave ≤ 0,4 mm convex ≤ 0,5 mm
Flatness of the element length	EN 13329	concave ≤ 7 mm convex ≤ 14 mm
System pattern matching widthwise		+/- 2mm
Ship's planking matching widthwise		+/- 4mm

1)Information under www.floorsymbols.com